



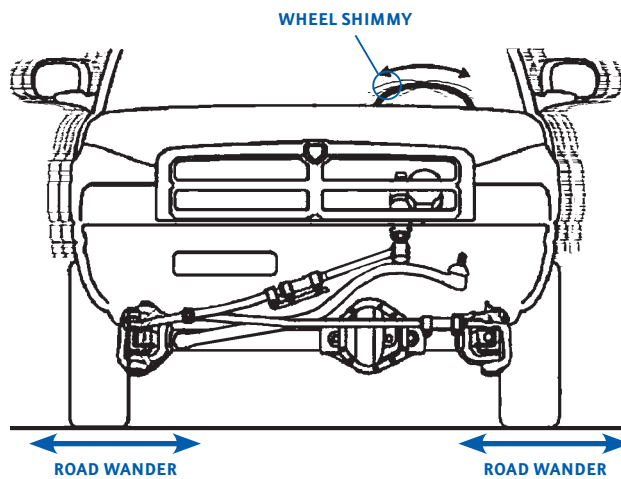
OFFICIAL STEERING & SUSPENSION OF NASCAR®

**THE PROBLEM SOLVER®**

**PROBLEM:**

**Road Wander and Wheel Shimmy**

- High lateral loads generated by the Ram tire and wheel assemblies loosen the track bar pivot, causing road wander and steering wheel “shimmy”.
- OE design is susceptible to preload deflection.



**Note:**  
Determine the condition of the track bar using the OE inspection procedure. Track bar pivot assemblies exhibiting more than .080" of movement should be replaced. Some technicians have reported wheel wander and road shimmy with pivot assembly deflection below the .080" OE specification.

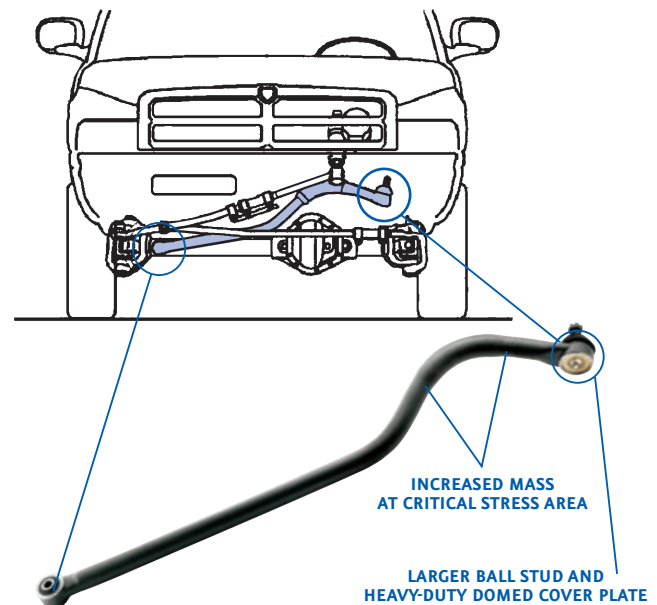
Description	Years	Make/Model	Replacement Part Number
Track Bar	1994-2002	4WD Dodge Ram R1500, R2500, R3500	DS1413
	1994-2002	2WD R3500 w/solid front axle	

INSTALL DS1256 IN ALL MODELS MANUFACTURED PRIOR TO 2/7/94.

**SOLUTION:**

**IMPROVED DESIGN MOOG® DS1413**

- Larger 1.25" forged and machined ball stud provides smoother rotational torque, greater load-carrying capability and better wear resistance.
- Powdered-metal bearings combined with the redesigned stud create an even stronger pivot that can handle the high lateral loads generated by the Ram wheel and tire assemblies.
- Forged from 1-3/8" micro-alloy bar stock for added strength.
- Forging process adds more material or mass to the bend, achieving a bar diameter of 1-5/8", eliminating “flex” in the critical stress area.
- A newly designed and patented, heavy-duty domed cover plate eliminates preload deflection.
- Premium polychloroprene boot with grease-relief valve provides a sealed, serviceable environment.



For parts lookup, visit [www.FMe-cat.com](http://www.FMe-cat.com) tech line: 1-800-325-8886

[moogproblemsolver.com](http://moogproblemsolver.com)

