

PROBLEM SOLVER™ BULLETIN

BULLETIN: 25883

Upper Ball Joint Premature Failure

2000-2004

Dodge Dakota and Durango

PROBLEM:

Premature Failure / Excessive Play / Joint Separation

- Non-serviceable socket design is unable to flush contamination leaking past cover plate into the socket assembly; corrosion and wear quickly set in.
- Boot failure can cause lubrication loss, and the bearing quickly wears causing excessive deflection, loose steering, alignment angle changes and possible ball joint separation.

CORRODED COVER PLATE FROM INTRUSION LEAKING INTO SOCKET



CORROSION IN HOUSING INDICATING INTRUSION



WORN, FAILED BEARING



| Year | Make / Model | Replacement Part No. |
|-----------|----------------------------|----------------------|
| '00 - '04 | 2WD & 4WD Dakota & Durango | K7392 |

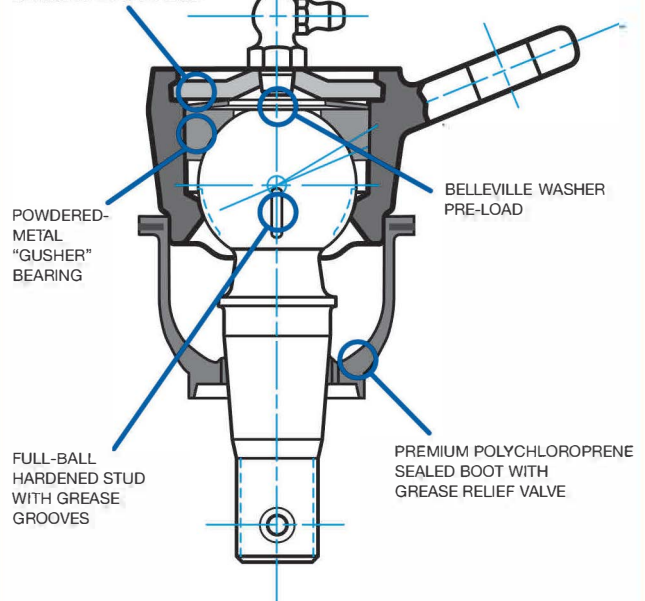
SOLUTION:

MOOG® K7392



- Serviceable MOOG socket design features premium polychloroprene sealed boot technology, with a special grease relief valve that prevents contamination.
- Greaseable Design.
- Belleville washer pre-load provides lower torque and stud articulation with minimal axial clearance.
- MOOG's patented cover plate seats in a radial fashion against the housing, creating a sealed environment and keeping contamination out.
- Hardened, powdered-metal bearings are not prone to excessive wear often experienced by plastic bearings under adverse conditions.

PATENTED COVER PLATE



Be Car Care Aware™

MOOG
CHASSIS PARTS™

The Problem Solver™

FEDERAL-MOGUL
MOTORPARTS