



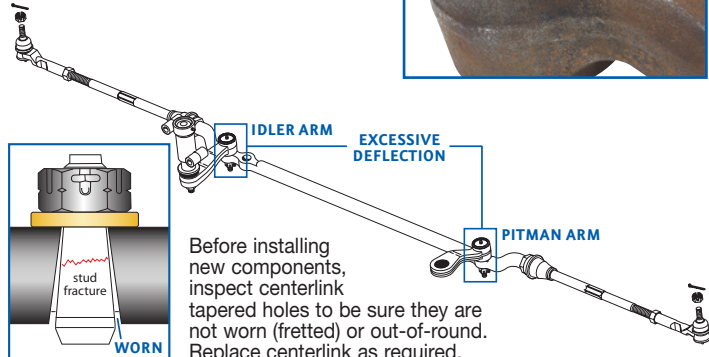
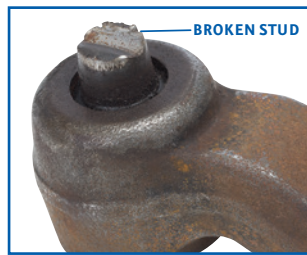
OFFICIAL STEERING & SUSPENSION OF NASCAR®

THE PROBLEM SOLVER®

PROBLEM:

Pitman or idler arm stud breaks on vehicles with modified tires and/or suspension

When the suspension is lifted, and/or larger aftermarket tires are used on the affected vehicles, the steering geometry changes and puts excessive stress on the Pitman and/or idler arm. This stress causes excessive stud deflection (movement) and may cause stud fracture, which then results in steering loss.



Description	Years	Make/Model	P/N
Idler Arm	1999-2007	Chevrolet Silverado 1500, GMC Sierra 1500	K6534HD
	2003-2013	Chevrolet Express 2500, 3500, GMC Savana 2500, 3500	
	2009-2011	Chevrolet Express 4500, GMC Savana 4500	
Idler Arm	2000-2011	Chevrolet Suburban 2500, GMC Yukon XL 2500	K6535HD
	2001-2007	Chevrolet Silverado 1500 HD, 3500, GMC Sierra 1500 HD, 3500	
	2001-2010	Chevrolet Silverado 2500 HD, GMC Sierra 2500 HD	
	2003-2009	Hummer H2	
	2007-2010	Chevrolet Silverado 3500 HD, GMC Sierra 3500 HD	
Pitman Arm	1999-2007	Chevrolet Silverado 1500, GMC Sierra 1500	K6536HD
	2000-2010	Chevrolet Suburban 2500	
	2001-2007	Chevrolet Silverado 2500 HD	
	2001-2010	GMC Sierra 2500 HD	
	2003-2007	Hummer H2	
Pitman Arm	2003-2008	Chevrolet Express 2500, 3500, GMC Savana 2500, 3500	K6654HD
	2001-2007	Chevrolet Silverado 1500, 1500 HD, 3500, GMC Sierra 1500 HD, 3500	
	2001-2010	Chevrolet Silverado 2500 HD, GMC Sierra 2500 HD	
	2001-2011	Chevrolet Suburban 2500, GMC Yukon XL 2500	
	2003-2008	Hummer H2	
	2003-2013	Chevrolet Express 2500, 3500, GMC Savana 2500, 3500	
	2007-2010	Chevrolet Silverado 3500 HD, GMC Sierra 3500 HD	
	2009-2011	Chevrolet Express 4500, GMC Savana 4500	

(See www.FMe-cat.com for additional applications.)

SOLUTION:

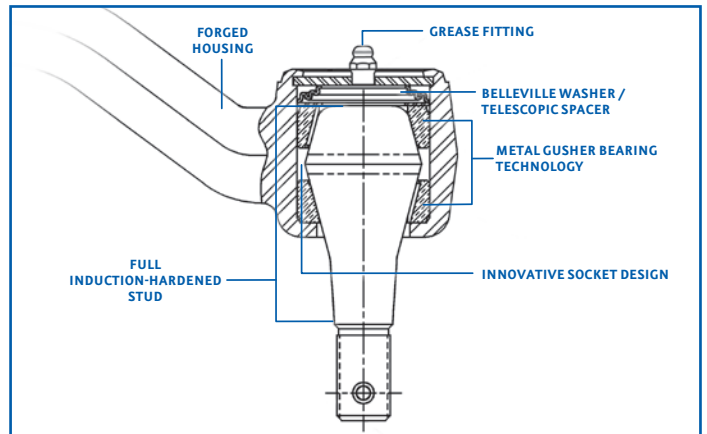
MOOG® Problem Solver® Heavy Duty Pitman & Idler Arms

MOOG® Problem Solver® Heavy Duty Pitman and Idler Arms, noted by an "HD" suffix, feature key enhancements:

- Innovative double-taper socket design provides better resistance to stud deflection
- Full induction-hardened stud for maximum strength
- MOOG gusher bearing technology for superior durability
- Unique Belleville washer and telescopic spacer design provides a secure assembly
- Greaseable for longer life and smoother operation
- Enhanced e-coating for superior rust resistance



K6535HD IDLER ARM



For parts lookup, visit www.FMe-cat.com tech line: 1-800-325-8886

moogproblemsolver.com

