

**1996-2005
FORD TAURUS
WAGON,
MERCURY SABLE
WAGON**



OFFICIAL STEERING & SUSPENSION OF NASCAR®

THE PROBLEM SOLVER®

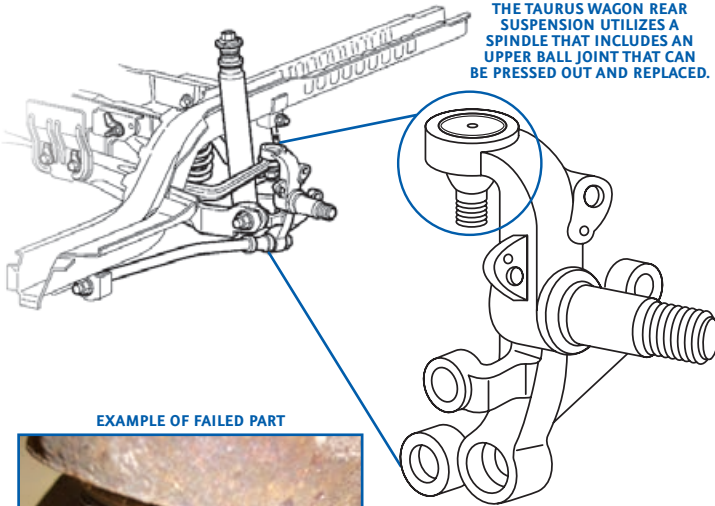
PROBLEM:

Replacement ball joint not available

The Taurus wagon's rear suspension is complex and unique to this vehicle. (It is designed to allow for a flat floor in the interior cargo area above it.) It utilizes an upper control arm with a spindle and self-contained ball joint. The ball joint is prone to failure, requiring replacement of the spindle, a discontinued part that is expensive and difficult to find. Replacing the ball joint alone has not been an option because no separate ball joint has been available.

Symptoms of failure include: tire wear, alignment issues, wander, steering wheel off-center, and noise.

THE TAURUS WAGON REAR SUSPENSION UTILIZES A SPINDLE THAT INCLUDES AN UPPER BALL JOINT THAT CAN BE PRESSED OUT AND REPLACED.



EXAMPLE OF FAILED PART



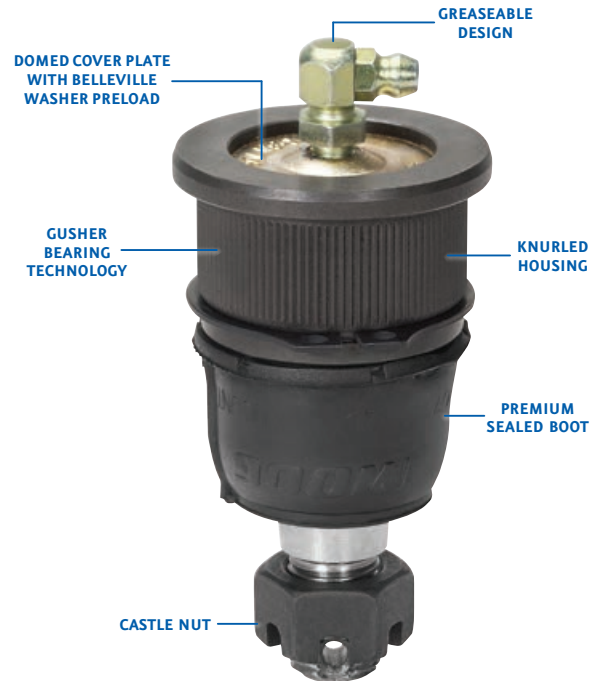
| Description | Years | Make/Model | Part Number |
|------------------------|-----------|---------------------|-------------|
| Upper Ball Joint, Rear | 1996-2005 | Ford Taurus Wagon | K500208 |
| | 1995-2002 | Lincoln Continental | |
| | 1996-2005 | Mercury Sable Wagon | |

SOLUTION:

MOOG® Problem Solver® K500208 upper ball joint

MOOG® Problem Solver® ball joint K500208 is the perfect replacement for the failure-prone ball joint. Its knurled housing enables it to fit securely into the spindle. Its design, which incorporates an all-metal gusher bearing and full-ball stud, is both smooth and durable.

- All-metal "gusher" bearing design provides strength and allows lubricant to penetrate bearing surfaces for longer life.
- Greaseable design flushes contamination and keeps part lubricated.
- MOOG patented domed cover plate and Belleville washer ensure proper preload and consistent socket torque for the life of the part.
- Metal stud with full-ball configuration provides smooth, even rotational movement.
- MOOG "grease release" polychloroprene boot lasts longer and directs contaminants out of the socket and away from brake components during lubrication.



For parts lookup, visit www.FMe-cat.com tech line: **1-800-325-8886**

moogproblemsolver.com

